

User's Guide

TRH-300 Series

溫、濕度信號傳送器

Temperature / Humidity
Transmitter



Ordering Information

Model	Descriptions	
TRH-301	Temperature Transmitter	
TRH-302	Humidity Transmitter	
TRH-303	Humi / Temp Transmitter	
Shape (Mounting)	W	Wall mount Type
	D	Duct mount Type
	S	Separated Type
Output Signal	A	Current out
	V	Voltage out

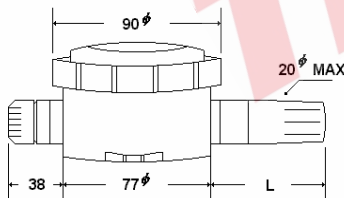
Example: TRH-303WA, TRH-302DV

Specifications:

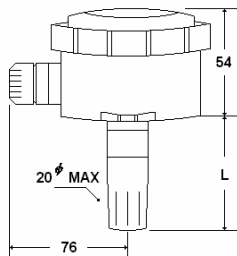
Measurement Range	0~100% RH 0~100°C (-20~+80°C, 0~+50°C, -40~60°C available)
Accuracy (At 25°C)	±2% RH, ±0.3°C
Long-term Stability	Better than 1% RH per year (Typical)
Temp. Compensation	±0.008% RH / °C (Effect @ 0% RH)
Response	<15 seconds (90% at +25°C in moving air at 0.5M/S)
Sensors	Humidity: Thin-Film capacitor Temperature: RTD Pt100Ω IEC751, DIN43760
Output	Humi: 4~20mA Two wire Temp: 4~20mA Two wire (scalable) * Selectable signal output of 0 to 1V, 0 to 5V, 0 to 10V or 1 to 5V (option)
Supply Voltage	12 ~ 40V DC
Sensor Protection	Sintered filter, Part, No. TR-3066 (option)
Housing	ABS plastic watertight enclosure (IP 65)
Connections	Liquid-tight nylon, cable bushing: φ5-10mm cables

-1-

External Dimensions (mm) Wall Mount Type

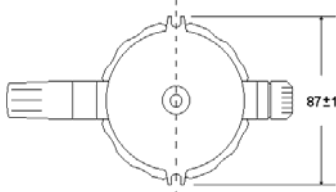


Duct Mount Type



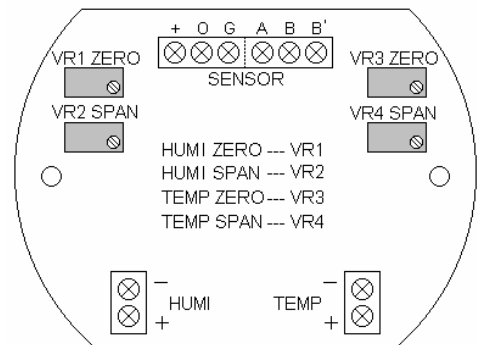
Mounting

Used by 3-4mm or 1/8" screw for mounting

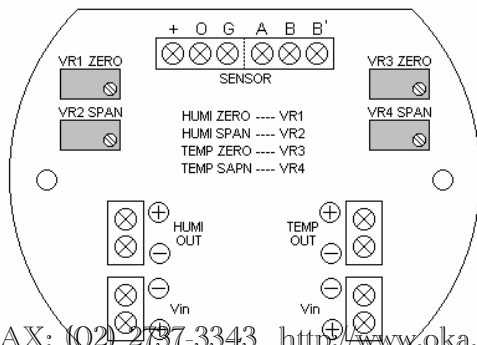


On-Site Calibration & Wiring

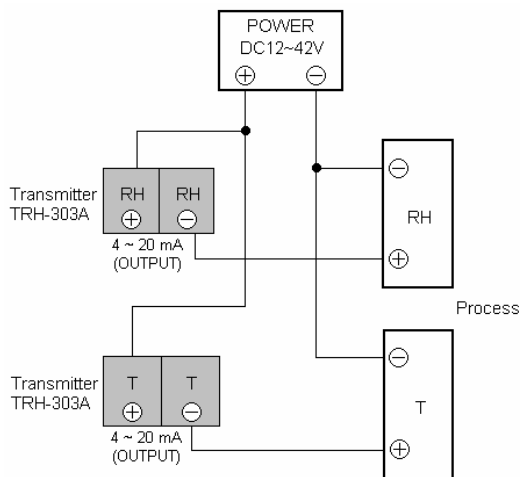
TRH-303A
TRH-302A
TRH-301A



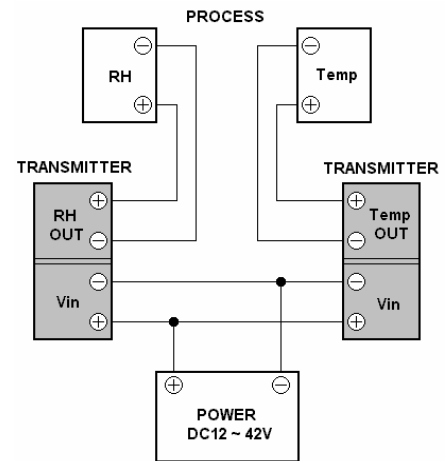
TRH-303V
TRH-302V
TRH-301V



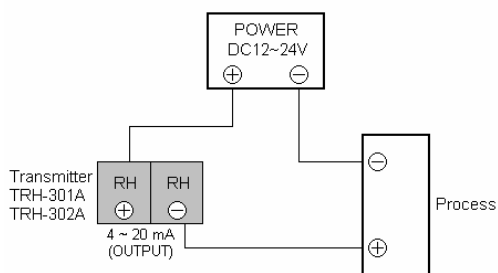
TRH-303A



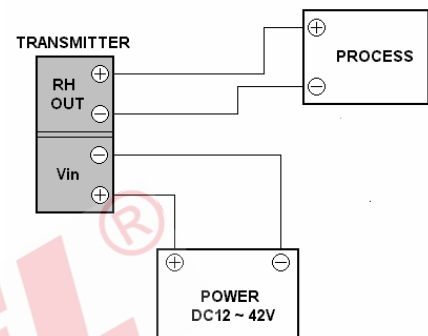
TRH-303V



TRH-302A, TRH-301A



TRH-302V, TRH-301V



-4-

-5-

Calibration Certificate

This certificate guarantees that the product has been inspected and tested in accordance with the published specifications. The instrument has been calibrated by using equipment, which already calibrated to standards traceable to international standards.

Returning Defective Products for Repairs

Please keep your original invoice or receipt for requires servicing. Return the products to us, shipping charge prepaid.